

本产品目录中所登录的产品，均按其使用目的，依照相关法规、规格所规定的功能及性能进行设计。用户在使用过程中，如果使之组装于机械设备中，或其他预料不到的情况下使用，而造成产品性能、功能的下降，或因不可预料的使用而引发的事故，本公司将不承担任何责任，如特殊用途下使用时，请事先与本公司技术部门联系确认。
本资料为中英文对照版本，如有含义冲突或不明确时，以中文为准。
由于公司坚持在产品开发中不断改进的原则，因此产品的规格可能有所变更，恕不另行通知。

The products entered in this catalog of products are all designed according to their application purposes, in compliance with functions and performances stipulated in related legal regulations and specifications. Our Company shall undertake no responsibility at all for any deterioration of product performances or functions due to user assembly of them in machines and equipments, or application of them under other unexpected situations during use or for any accidents arising from unexpected use. Please contact technical department of our Company for confirmation in advance when application for special purposes is required.
This direction made of in Chinese and English, in event of conflicts or uncertainty of meaning, the Chinese version shall prevail.
For modification of product specification subjects to continuous betterment in development of Maxloadc&h products, no notice will be given separately.



上海拓起起重设备有限公司

SHANGHAI MAXLOAD CRANES & HOISTS CO., LTD.

地址：上海市嘉定区曹安公路5588-1718号。

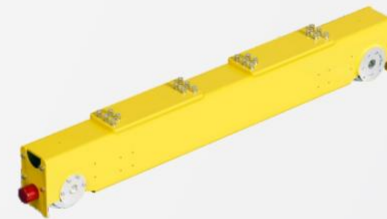
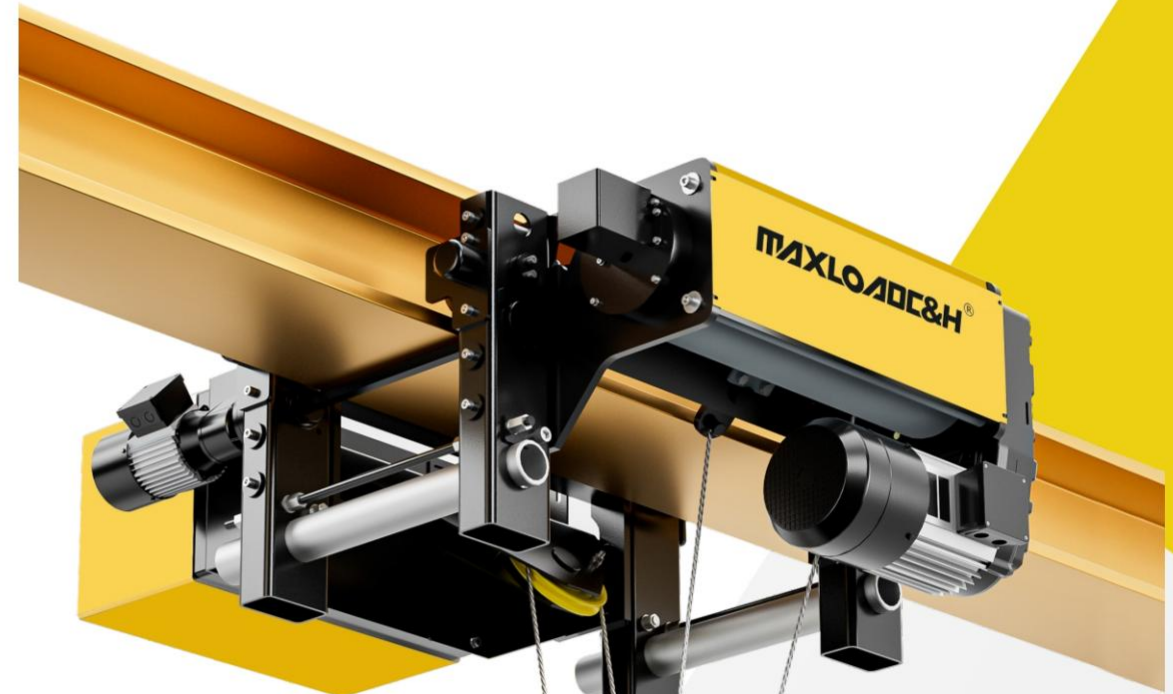
Add: 5588-1718th, Caoan Road, Jiading Distict, Shanghai China.

Tel: 0086 (021) 5999 9072 | Fax: 0086 (021) 5999 9071

Mail: market@chnhoist.com | Web: www.chnhoist.com



MAXLOAD&H[®]



欧式钢丝绳葫芦

Electric wire rope Hoist



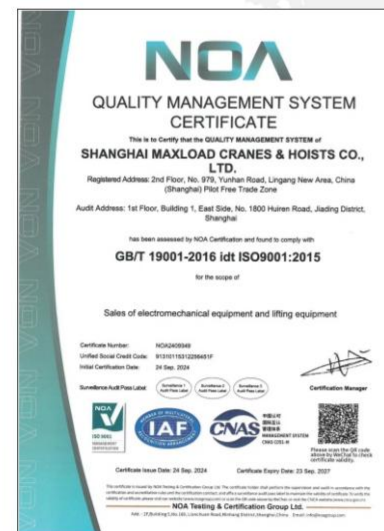
公司简介

上海拓起起重设备有限公司是一家集设计、研发、生产、销售为一体的综合性起重设备制造企业。公司生产的环链电动葫芦、钢丝绳电动葫芦、天车专用马达、桥门式起重机等各类型起重产品，汲取世界起重行业先进的产品开发、设计理念，采用大量的新技术、新材料以及进口零部件，具有噪音低、重量轻、结构紧凑、技术先进、性能优越、操用安全简便、易安装维护等优点。上海拓起产品广泛应用于机械加工、物料搬运、模具开发、工业自动化流水线、产品装配风力发电等各行各业。

上海拓起公司拥有自主出口权，并通过ISO9001:2015国际质量管理体系认证，欧盟CE、SGS等多项国际国内认证。公司营销网络已遍布中国大陆各地，产品远销欧洲、亚洲、非洲、美洲等众多国家和地区。车工业、新能源产业、储能行业、模具加工、机械加工、包装运输业、航空航天等领域。

Company Profile

Shanghai Maxload Cranes & Hoists Co., Ltd. is a lifting equipment manufacturer integrating design, R&D, production, and sales. The company's products, including chain electric hoists, wire rope electric hoists, crane motors, and bridge and gantry cranes, adopt advanced global design concepts, new technologies, materials, and imported components. They feature low noise, lightweight, compact structure, advanced technology, excellent performance, and ease of operation, installation, and maintenance. Products are widely used in mechanical processing, material handling, mold development, automation lines, and wind power generation. Maxloadc&h holds independent export rights and has obtained ISO9001:2015, CE, and SGS certifications. Its products are exported to Europe, Asia, Africa, and the Americas, serving industries such as automotive, new energy, energy storage, machinery, packaging, aerospace and so on



MLER-S: 单梁低净空钢丝绳葫芦
结构紧凑，低净空设计；适用于单梁起重机；
小车轮缘可调节，以满足不同需要；
集成式止停装置；

MLER-S: Single Girder Low-Headroom Wire Rope Hoist
Compact structure with a low-headroom design;
Suitable for single-girder cranes;
Adjustable trolley flange to meet different needs;
Integrated stop device;



MLER-D: 双梁钢丝绳葫芦
双梁结构，设计紧凑；
葫芦在运行过程中更加稳定，减少了载荷晃动；
多个车轮均匀受力；

MLER-D: Double Girder Wire Rope Hoist
Double-girder structure with a compact design
Hoist runs more stable, reducing load sway
Multiple wheels distribute the load evenly



MLER-H: 标准低净空钢丝绳葫芦；
适用于单轨葫芦，运行轨道宽度可调(120-250mm)；
适用于弯轨行走；
负载能力最大可满足10吨负载；

MLER-H: Standard Low-Headroom Wire Rope Hoist
Suitable for monorail hoists, with adjustable flange width (80-610 mm)；
Applicable for curved rail operation；
Maximum load capacity up to 10 tons；



MLER-T: 主副钩钢丝绳葫芦
设计紧凑 灵活搭配，50/20t，32/10t，20/5t
钩间距可以按设计要求设计；可实现单钩、双钩联动；

MLER-T: Main and Auxiliary twin Hook Hoist
Compact design; Hook spacing can be customized
Flexible combinations: 50/20t, 32/10t, 20/5t
Can achieve single hook and dual hook synchronization

主要部件/Main parts



钢丝绳卷筒/wire rope tube

采用Q345材质的无缝钢管作为原材料，经过层层工序加工保证卷筒同心度，绳槽深度符合FEM标准，高强度压板和螺栓，紧固钢丝绳末端，保证起升安全性。

Use the Q345 type seamless steel tube as raw material and process it by numbers of working procedure. Advanced processing methods to ensure concentricity of the drum. The depth of rope groove is in compliance with the FEM standard. High-strength pressing plates and bolts are fastened on the end of the wire rope to ensure the safety of lifting.



高度限制器/height limiter

干式起升高度可自由调节的限位器，精度高调节范围广，安全可靠，多触点的配置可有效实现上升和下条时的快、慢速的切换及停止功能。

Freely adjustable screw lifting height limiter with high precision, wide adjustment range, safe and reliable. Multiple-contact configurations can effectively achieve the function of transition with low and high speed and the stop during the rise and fall.



吊钩组/Hook Block

DIN标准吊钩，配有安全扣及钢丝绳护套人机工程学设计T级高强度材质锻造而成。

DIN standard of lifting hook with safety latch. Forged by the high-strength material of T grade. Accompanied with nondestructive test certification of lifting hook randomly.

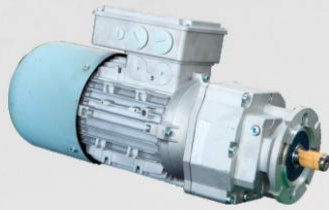


电控箱/Electric cabinet

电控箱设计合理，检修方便，多种安全保护装置，保证设备安全操作运行，元器件排列整齐划一，线号明确，便于故障排除，可选项多可以满足不同需求，可选不锈钢箱体、散热风扇、加热器、温度监控等。

Rational design, convenient maintenance, decreasing running cost, Professional and high quality of electrical components, safe and reliable.

Multiple safety protection devices to ensure equipment safe. Protection grade Ip54. Clear identification to easy for trouble removal.



小车驱动/Trolley drive unit

结构紧凑，运行平稳、散热快、寿命长变频控制，噪音低，启动和制动平稳，制动盘正常使用寿命可达100万次。

Compact structure, stable operation, fast heat dissipation, long life, frequency conversion control, low noise, smooth starting and braking. The normal service life of the brake disc can reach 1 million times.



超载保护器/Overload protector

超过额定重量后切断葫芦吊钩起升回路，使葫芦不能吊重，从而保护葫芦及操作人员安全。

After the rated weight, the lifting loop of hoist can be cut off quickly so that the hoist can not lift heavy objects, so as to protect the hoist and operators' safety.



导绳器/Rope guide

采用工程塑料制成重量轻、耐磨性好有效减少钢丝绳的磨损防止钢丝绳跳绳、松绳、脱槽等。

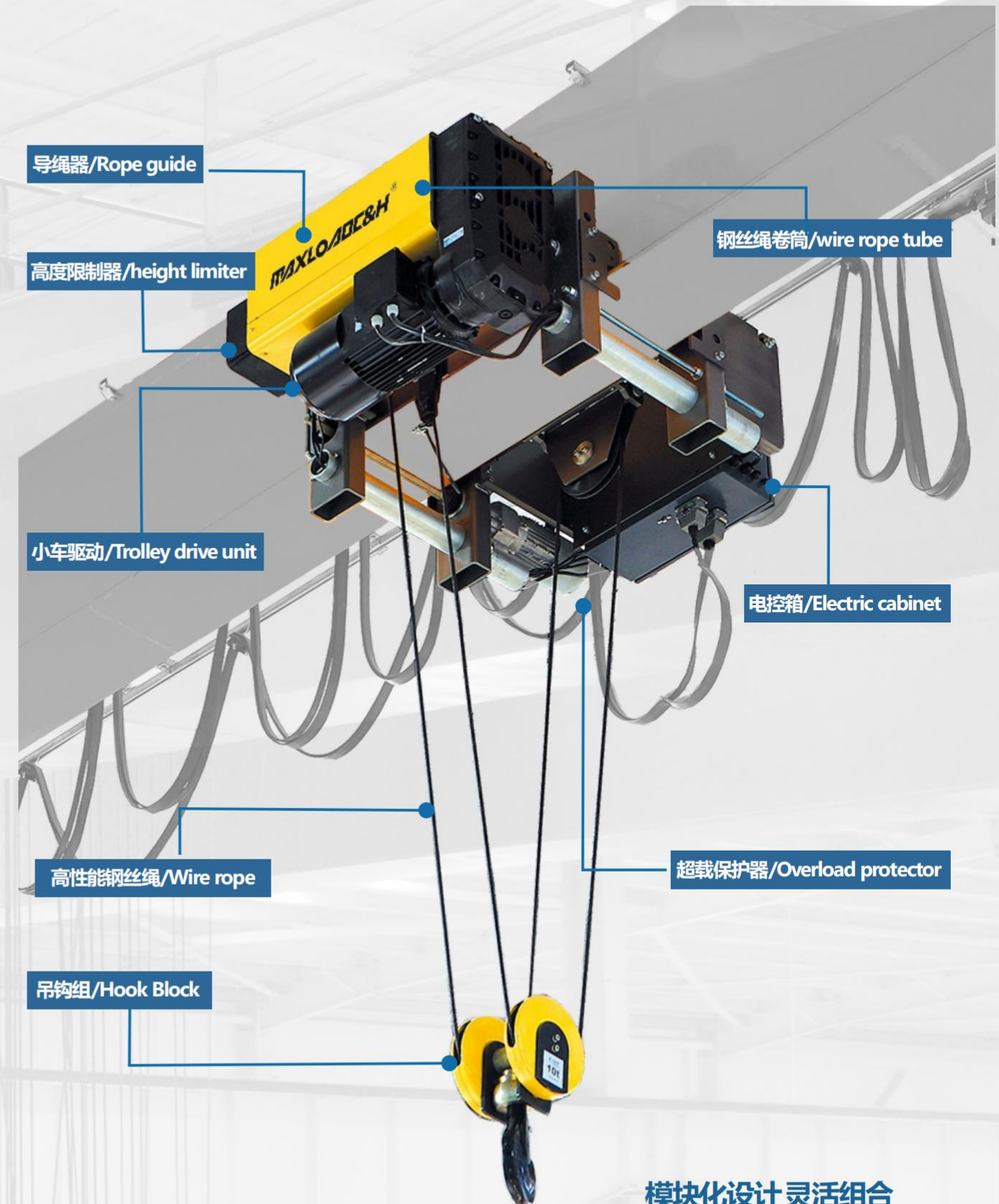
Light weight, good wear resistance, to reduce the wear of wire rope effectively. Prevent wire rope from skipping and losing to off-groove and safety first.



高性能钢丝绳/Wire rope

高性能钢丝绳，抗拉强度高，镀锌处理有效防腐，良好的柔韧性保证钢丝绳耐磨损延长使用寿命。

The imported wire rope of high performance with tensile strength up to 2160N/MM. The surface with galvanized processing for corrosion prevention effectively. With good flexibility to ensure wear resistance of the wire rope and prolong its service life.



导绳器/Rope guide

高度限制器/height limiter

小车驱动/Trolley drive unit

高性能钢丝绳/Wire rope

吊钩组/Hook Block

钢丝绳卷筒/wire rope tube

电控箱/Electric cabinet

超载保护器/Overload protector

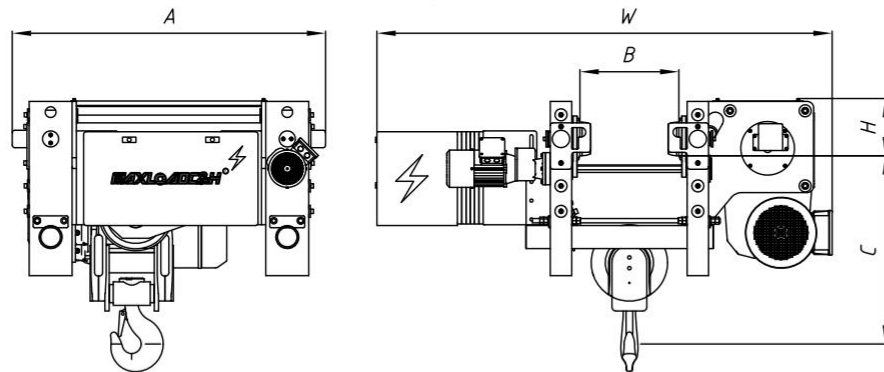
模块化设计灵活组合

Modular design flexible combination

每台电动葫芦均经过测试台以1.25倍吊重负载测试，确保每套设备出厂前符合国家标准。
Each electric hoist is tested on a test bench with 1.25 times the lifting load to ensure that each set of equipment meets national standards before leaving the factory.

单梁低净空葫芦 Wire rope Hoist —Single Girder

3.2-20ton



载荷 (t) S.W.L	工作等级 FEM/ISO	滑轮倍率 Reeving	钢丝绳直径 Rope Dia (mm)
3t	2M/M5	4/1	6mm
5t	2M/M5		8mm
6.3t	1Am/M4		8mm
10t	2M/M5		11mm
12.5t	1Am/M4		11mm
16t	2M/M5		15mm
20t	1Am/M4		15mm

- 双速提升电机
- 四级提升限位开关，带减速功能和相位保护
- 电气过载保护
- 提升热保护
- 配有变频器的行走机械

- 标准三相电压：380 / 400 / 415 V 50 HZ;
- 其他电压可按要求提供
- 交流48V控制电压
- 防护等级IP55
- 电气装配和布线符合IEC标准

- 2-speed hoisting motor
- 4-step limit switch, with slow-down function and phase protection
- Electrical overload protection
- Thermal protection for hoisting
- Traveling machinery with frequency inverter

- Standard 3-phase voltages 380/400/415 V 50 Hz;
- Other voltages are available on request
- AC48 V control voltage
- IP 55 protection
- Electrical assembly and wiring in accordance with IEC standards

参数规格 Parameter Specification

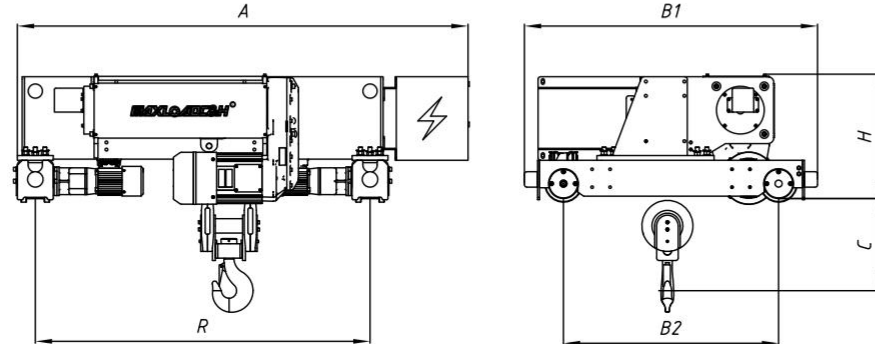
载荷 S.W.L (t)	技术参数/Technical Date							尺寸数据 /Siz(mm)					自重 N.W (kg)
	起升高度 H.O.L. (m)	型号 model	工作级别 FEM/ISO	起升速度 hoist speed (m/min)	起升功率 hoist motor (kw)	小车速度 trolley speed (m/min)	小车功率 trolley motor (kw)	A	B	W	H	C	
3.2	6.0	MLER3.2-06S	2M/M5	5.0/0.8	3.2/0.45	5-20	0.96	920	200-400	1087-1587	181	580	324
	9.0	MLER3.2-09S	2M/M5	5.0/0.8			0.96	1070	200-400	1087-1587	181	580	347
	12.0	MLER3.2-12S	2M/M5	5.0/0.8			0.96	1270	200-400	1087-1587	181	580	370
	15.0	MLER3.2-15S	2M/M5	5.0/0.8			0.96	1482	200-500	1087-1587	181	580	406
	18.0	MLER3.2-18S	2M/M5	5.0/0.8			0.96	1682	200-500	1087-1587	181	580	428
5	6.0	MLER05-06S	2M/M5	5.0/0.8	6.1/1	5-20	0.96	920	200-400	1095-1395	181	650	402
	9.0	MLER05-09S	2M/M5	5.0/0.8			0.96	1070	200-400	1095-1395	181	650	431
	12.0	MLER05-12S	2M/M5	5.0/0.8			0.96	1270	200-400	1095-1395	181	650	459
	15.0	MLER05-15S	2M/M5	5.0/0.8			0.96	1490	200-500	1095-1395	181	650	489
	18.0	MLER05-18S	2M/M5	5.0/0.8			0.96	1690	200-500	1095-1395	181	650	516
6.3	6.0	MLER6.3-06S	1Am/M4	5.0/0.8	6.1/1	5-20	0.96	920	200-500	1282-1582	181	650	402
	9.0	MLER6.3-09S	1Am/M4	5.0/0.8			0.96	1070	200-500	1282-1582	181	650	431
	12.0	MLER6.3-12S	1Am/M4	5.0/0.8			0.96	1270	200-500	1282-1582	181	650	459
	15.0	MLER6.3-15S	1Am/M4	5.0/0.8			0.96	1490	200-500	1282-1582	181	650	489
	18.0	MLER6.3-18S	1Am/M4	5.0/0.8			0.96	1690	200-500	1282-1582	181	650	516
10	6.0	MLER10-06S	2M/M5	5.0/0.8	9.5/1.5	5-20	0.96	1030	200-500	1620-1770	215	780	667
	9.0	MLER10-09S	2M/M5	5.0/0.8			0.96	1180	200-500	1620-1770	215	780	708
	12.0	MLER10-12S	2M/M5	5.0/0.8			0.96	1380	200-500	1620-1770	215	780	746
	15.0	MLER10-15S	2M/M5	5.0/0.8			0.96	1490	200-500	1620-1770	215	780	934
	18.0	MLER10-18S	2M/M5	5.0/0.8			0.96	1690	200-500	1620-1770	215	780	978
12.5	6.0	MLER12.5-06S	1Am/M4	4.0/0.7	9.5/1.5	5-20	0.96	1030	200-500	1620-1770	215	780	667
	9.0	MLER12.5-09S	1Am/M4	4.0/0.7			0.96	1180	200-500	1620-1770	215	780	708
	12.0	MLER12.5-12S	1Am/M4	4.0/0.7			0.96	1380	200-500	1620-1770	215	780	746
	15.0	MLER12.5-15S	1Am/M4	4.0/0.7			0.96	1490	200-500	1620-1770	215	780	934
	18.0	MLER12.5-18S	1Am/M4	4.0/0.7			0.96	1690	200-500	1620-1770	215	780	987
16	6.0	MLER16-06S	2M/M5	4.0/0.7	16/2.6	5-20	2*0.96	1228	200-500	1790-1890	390	1010	990
	9.0	MLER16-09S	2M/M5	4.0/0.7			2*0.96	1428	200-500	1790-1890	390	1010	1065
	12.0	MLER16-12S	2M/M5	4.0/0.7			2*0.96	1628	200-500	1790-1890	390	1010	1230
	15.0	MLER16-15S	2M/M5	4.0/0.7			2*0.96	1828	200-500	1790-1890	390	1010	1286
	18.0	MLER16-18S	2M/M5	4.0/0.7			2*0.96	1828	200-500	1790-1890	390	1010	1406
20	6.0	MLER20-06S	1Am/M4	4.0/0.7	16/2.6	5-20	2*0.96	1228	200-500	1790-1890	390	1010	990
	9.0	MLER20-09S	1Am/M4	4.0/0.7			2*0.96	1428	200-500	1790-1890	390	1010	1065
	12.0	MLER20-12S	1Am/M4	4.0/0.7			2*0.96	1628	200-500	1790-1890	390	1010	1230
	15.0	MLER20-15S	1Am/M4	4.0/0.7			2*0.96	1828	200-500	1790-1890	390	1010	1286
	18.0	MLER20-18S	1Am/M4	4.0/0.7			2*0.96	1828	200-500	1790-1890	390	1010	1406

表中所示为拓起公司标准速度与尺寸，如需其他非标定做可以与拓起公司相关销售与技术人员联系。
The table shows the standard speeds and sizes of Maxloadc&h Company. If you need other non-standard customization, please contact the relevant sales and technical personnel of Maxloadc&h Company.

双梁钢丝绳葫芦 Wire rope Hoist —Double Girder 3.2-80ton



载荷(t) S.W.L	工作等级 FEM/ISO	滑轮倍率 Reeving	钢丝绳直径 Rope Dia (mm)
3.2t	2M	4/1	6mm
5t	2M		8mm
6.3t	1Am/M4		8mm
10t	2M		11mm
16t	2M		15mm
20t	1Am/M4	6/2	15mm
25t	3M		11mm
32t	2M		11mm
40t	3M		15mm
50t	2M		15mm

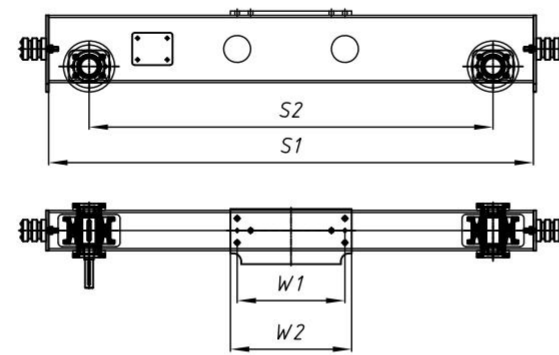


载荷 S.W.L (t)	技术参数Technical Date								尺寸数据Siz(mm)						自重 N.weight (kg)
	起升高度 H.O.L. (m)	型号 model	工作级别 FEM/ISO	起升速度 hoist speed (m/min)	起升功率 hoist motor (kw)	小车速度 trolley speed (m/min)	小车功率 trolley motor (kw)	A	B1	B2	R	H	C		
3.2	6.0	MLER3.2-06D	2M/M5	5.0/0.8	3.2/0.45	5-20	2*0.44	1850	1226	900	1400	437	580	495	
	9.0	MLER3.2-09D	2M/M5	5.0/0.8				1850	1226	900	1400	437	580	504	
	12.0	MLER3.2-12D	2M/M5	5.0/0.8				1850	1226	900	1400	437	580	541	
	15.0	MLER3.2-15D	2M/M5	5.0/0.8				2150	1226	900	1700	437	580	580	
	18.0	MLER3.2-18D	2M/M5	5.0/0.8				2450	1226	900	1700	437	580	620	
5	6.0	MLER05-06D	2M/M5	5.0/0.8	6.1/1.0	5-20	2*0.44	1850	1226	900	1400	502	650	571	
	9.0	MLER05-09D	2M/M5	5.0/0.8				1850	1226	900	1400	502	650	586	
	12.0	MLER05-12D	2M/M5	5.0/0.8				1850	1226	900	1400	502	650	618	
	15.0	MLER05-15D	2M/M5	5.0/0.8				2150	1226	900	1700	502	650	663	
	18.0	MLER05-18D	2M/M5	5.0/0.8				2450	1226	900	1700	502	650	710	
6.3	6.0	MLER6.3-06D	1Am/M4	5.0/0.8	6.1/1.0	5-20	2*0.44	1850	1226	900	1400	502	650	571	
	9.0	MLER6.3-09D	1Am/M4	5.0/0.8				1850	1226	900	1400	502	650	586	
	12.0	MLER6.3-12D	1Am/M4	5.0/0.8				1850	1226	900	1400	502	650	618	
	15.0	MLER6.3-15D	1Am/M4	5.0/0.8				2150	1226	900	1700	502	650	663	
	18.0	MLER6.3-18D	1Am/M4	5.0/0.8				2450	1226	900	1700	502	650	710	
10	6.0	MLER10-06D	2M/M5	5.0/0.8	9.5/1.5	5-20	2*0.46	1885	1226	900	1400	571	780	740	
	9.0	MLER10-09D	2M/M5	5.0/0.8				1885	1226	900	1400	571	780	767	
	12.0	MLER10-12D	2M/M5	5.0/0.8				1885	1226	900	1400	571	780	809	
	15.0	MLER10-15D	2M/M5	5.0/0.8				2185	1226	900	1700	571	780	850	
	18.0	MLER10-18D	2M/M5	5.0/0.8				2450	1226	900	2000	571	780	900	

参数规格 Parameter Specification

载荷 S.W.L (t)	技术参数Technical Date								尺寸数据Siz(mm)						自重 N.weight (kg)
	起升高度 H.O.L. (m)	型号 model	工作级别 FEM/ISO	起升速度 hoist speed (m/min)	起升功率 hoist motor (kw)	小车速度 trolley speed (m/min)	小车功率 trolley motor (kw)	A	B1	B2	R	H	C		
16	6.0	MLER16-06D	2M/M5	4.0/0.7	16/2.6	5-20	2*0.69	2150	1366	1000	1400	750	650	1168	
	9.0	MLER16-09D	2M/M5	4.0/0.7				2450	1366	1000	1400	750	650	1203	
	12.0	MLER16-12D	2M/M5	4.0/0.7				2850	1366	1000	1700	750	650	1268	
	15.0	MLER16-15D	2M/M5	4.0/0.7				3150	1366	1000	2000	750	650	1450	
	18.0	MLER16-18D	2M/M5	4.0/0.7				3350	1366	1000	2400	750	650	1550	
20	6.0	MLER20-06D	1Am/M4	4.0/0.7	16/2.6	5-20	2*0.696	2150	1366	1000	1400	750	650	1168	
	9.0	MLER20-09D	1Am/M4	4.0/0.7				2450	1366	1000	1400	750	650	1203	
	12.0	MLER20-12D	1Am/M4	4.0/0.7				2850	1366	1000	1700	750	650	1268	
	15.0	MLER20-15D	1Am/M4	4.0/0.7				3150	1366	1000	2000	750	650	1450	
	18.0	MLER20-18D	1Am/M4	4.0/0.7				3350	1366	1000	2400	750	650	1550	
25	6.0	MLER25-06D	1Am/M4	0-4.1	22	5-20	1.1*2	2450	1756	1300	1700	1020	830	2050	
	9.0	MLER25-09D	1Am/M4	0-4.1				2850	1756	1300	2000	1020	830	2150	
	12.0	MLER25-12D	1Am/M4	0-4.1				3550	1756	1300	2400	1020	830	2300	
	15.0	MLER25-15D	1Am/M4	0-4.1				3550	1756	1300	2700	1020	830	2400	
	18.0	MLER25-18D	1Am/M4	0-4.1				3850	1756	1300	3100	1020	830	2500	
32	6.0	MLER32-06D	2M/M5	0-3.2	22	5-20	1.1*2	2450	1756	1300	1700	1020	830	2050	
	9.0	MLER32-09D	2M/M5	0-3.2				2850	1756	1300	2000	1020	830	2150	
	12.0	MLER32-12D	2M/M5	0-3.2				3550	1756	1300	2400	1020	830	2300	
	15.0	MLER32-15D	2M/M5	0-3.2				3550	1756	1300	2700	1020	830	2400	
	18.0	MLER32-18D	2M/M5	0-3.2				3850	1756	1300	3100	1020	830	2500	
40	6.0	MLER40-06D	2M/M5	0-4.9	38	5-20	1.5*2	2650	1986	1300	1700	1050	1100	3371	
	9.0	MLER40-09D	2M/M5	0-4.9				2650	1986	1300	2000	1050	1100	3694	
	12.0	MLER40-12D	2M/M5	0-4.9				3050	1986	1300	2400	1050	1100	3872	
	15.0	MLER40-15D	2M/M5	0-4.9				3350	1986	1300	2700	1050	1100	3950	
	18.0	MLER40-18D	2M/M5	0-4.9				3750	1986	1300	3100	1050	1100	4200	
50	6.0	MLER50-06D	2M/M5	0-3.2	38	5-20	1.5*2	2650	1986	1300	2000	1050	1100	3371	
	9.0	MLER50-09D	2M/M5	0-3.2				3050	1986	1300	2400	1050	1100	3694	
	12.0	MLER50-12D	2M/M5	0-3.2				3750	1986	1300	3100	1050	1100	3872	
	15.0	MLER50-15D	2M/M5	0-3.2				4450	1986	1300	3400	1050	1100	3950	
63	6.0	MLER63-06D	1Am/M4	0-3.2	38	5-20	2.2*2	2700	1986	1300	2000	1050	1100	3371	
	9.0	MLER63-09D	1Am/M4	0-3.2				3100	1986	1300	2400	1050	1100	3694	
	12.0	MLER63-12D	1Am/M4	0-3.2				3800	1986	1300	3100	1050	1100	3872	
	15.0	MLER63-15D	1Am/M4	0-3.2				4500	1986	1300	3400	1050	1100	3950	
80	6.0	MLER80-06D	1Am/M4	0-2.4	38	5-20	2.2*2	3100	1986	1300	2400	1050	1100	3371	
	9.0	MLER80-09D	1Am/M4	0-2.4				3800	1986	1300	3100	1050	1100	3694	
	12.0	MLER80-12D	1Am/M4	0-2.4				4500	1986	1300	3800	1050	1100	3872	
	15.0	MLER80-15D	1Am/M4	0-2.4				4900	1986	1300	4200	1050	1100	3950	
18.0	MLER80-18D	1Am/M4	0-2.4	5500	1986	1300	4800	1050	1100	4200					

花键轴端梁参数表(单梁)EC-US Spline shaft type End beam (Single Girder)



特性简介 (MAIN FEATURES)

欧式端梁采用矩形管制作，数控镗铣一体机床，一次性完成开孔，镗孔，铣面，钻孔。

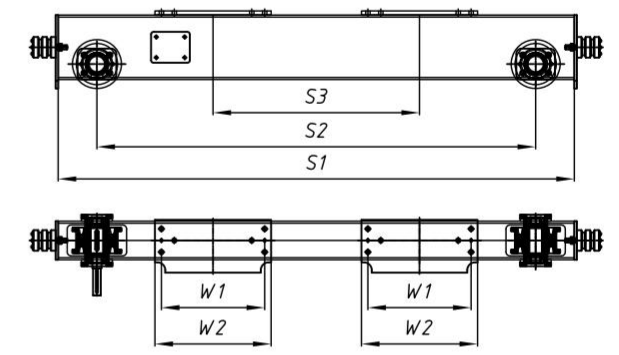
F系列减速机，空心轴传动，工作级别高，速度调节范围广。

The End beam is made of rectangular tube and CNC boring and milling machine tool, which can complete opening, boring, milling and drilling at one time.

F series reducer, hollow shaft drive, high work level wide range of speed regulation.

技术参数technical date						规格尺寸size(mm)			
型号 model	适配行车 crane model	矩形管规格 tube Size	车轮规格 wheel Size	电机功率 Motor power (20 m/min)	电机功率 Motor power (30 m/min)	S1 (mm)	S2 (mm)	W1 (mm)	W2 (mm)
EC-US90-15	1.6t-7.5m	150*150*6	U90*60	FA27-0.25KW	FA27-0.37KW	1500	1300	400	550
EC-US90-20	1.6t-11.5m					2000	1800	400	550
EC-US90-25	1.6t-16.5m					2500	2300	400	550
EC-US90-30	1.6t-22.5m					3000	2800	400	550
EC-US125-15	3.2t-7.5m	150*200*8	U125*60	FA27-0.37KW	FA27-0.55KW	1500	1300	400	550
EC-US125-20	3.2t-11.5m					2000	1800	400	550
EC-US125-25	3.2t-16.5m					2500	2300	400	550
EC-US125-30	3.2t-22.5m					3000	2800	500	650
EC-US125-35	3.2t-28.5m	3500	3300	600	750				
EC-US160-15	6.3t-7.5m	150*250*8	U160*70	FA37-0.55KW	FA37-0.75KW	1500	1200	400	550
EC-US160-20	6.3t-11.5m					2000	1700	400	550
EC-US160-25	6.3t-16.5m					2500	2200	400	550
EC-US160-30	6.3t-22.5m					3000	2700	500	650
EC-US160-35	6.3t-28.5m	3500	3200	600	750				
EC-US200-20	12.5t-11.5m	200*250*8	U200*70	FA47-0.75KW	FA47-1.1KW	2000	1700	500	650
EC-US200-25	12.5t-16.5m			2500		2200	500	650	
EC-US200-30	12.5t-22.5m			3000		2700	600	750	
EC-US200-35	12.5t-28.5m			3500		3200	700	850	
EC-US250-20	16t/20t-11.5m	200*300*8	U250*80	FA57-1.1KW	FA57-1.5KW	2000	1600	500	650
EC-US250-25	16t/20t-16.5m			2500		2100	600	750	
EC-US250-30	16t/20t-22.5m			3000		2600	700	850	
EC-US250-35	16t/20t-28.5m			3500		3100	700	850	

花键轴端梁参数表(双梁)EC-UD Spline shaft type End beam (Double girder)



特性简介 (MAIN FEATURES)

欧式双梁端梁采用矩形管制作，数控镗铣一体机床，一次性完成开孔，镗孔，铣面，钻孔。

S3尺寸根据卷扬20t/50t起重机端梁，采用8轮运行机构。F系列减速机，空心轴传动，工作级别高，速度调节范围广。

End carriage with rectangular tube production, CNC boring and milling integrated customized machine tool, complete opening, boring, milling and drilling at one time.

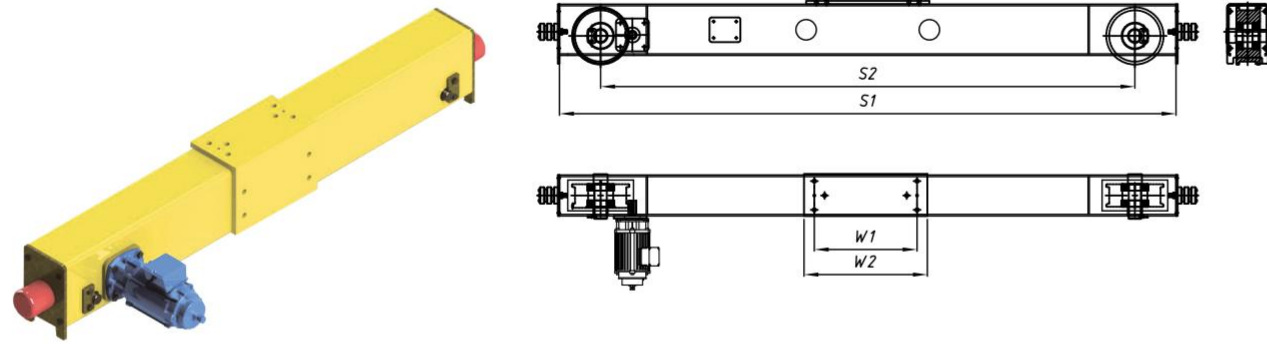
S3 size is determined according to the hoisting trolley gauge. 20t/50t crane end beam, adopt 8-wheel running mechanism.

技术参数/technical date						规格尺寸/size(mm)				
型号 model	适配行车 crane model	矩形管规格 tube Size	车轮规格 wheel Size	电机功率 Motor power (20m/min)	电机功率 Motor power (30m/min)	S1 (mm)	S2 (mm)	S3 (mm)	W1 (mm)	W2 (mm)
EC-UD90-20	1.6t-11.5m	150*150*6	U90*60	FA27-0.25KW	FA27-0.37KW	2000	1800	1000-1200	400	550
EC-UD90-25	1.6t-16.5m					2500	2300	1000-1200	400	550
EC-UD125-25	3.2t-11.5m	150*200*8	U125*60	FA37-0.55KW	FA37-0.75KW	2500	2300	1200-1400	400	550
EC-UD125-30	3.2t-16.5m					3000	2800	1200-1400	400	550
EC-UD125-35	3.2t-22.5m					3500	3300	1200-1400	500	650
EC-UD125-40	3.2t-28.5m					4000	3800	1200-1400	500	650
EC-UD160-25	6.3t-11.5m	150*250*8	U160*70	FA47-0.75KW	FA47-1.1KW	2500	2200	1200-1400	400	550
EC-UD160-30	6.3t-16.5m					3000	2700	1200-1400	400	550
EC-UD160-35	6.3t-22.5m					3500	3200	1200-1400	500	650
EC-UD160-40	6.3t-28.5m					4000	3700	1200-1400	600	750
EC-UD200-25	12.5t-11.5m	200*250*8	U200*70	FA57-1.1KW	FA57-1.5KW	2500	2200	1400-1600	500	650
EC-UD200-30	12.5t-16.5m					3000	2700	1400-1600	500	650
EC-UD200-35	12.5t-22.5m					3500	3200	1400-1600	600	750
EC-UD200-40	12.5t-28.5m					4000	3700	1400-1600	600	750
EC-UD250-35A	16t-16.5m	200*300*8	U250*80	FA67-1.5KW	FA67-2.2KW	3500	3100	1600-1800	500	650
EC-UD250-40A	16t-22.5m					4000	3600	1600-1800	600	750
EC-UD250-45A	16t-28.5m					4500	4100	1600-1800	700	850
EC-UD250-35B	20t-16.5m	200*400*8	U250*80	FA77-2.2KW	FA77-3KW	3500	3100	1800-2000	600	750
EC-UD250-40B	20t-22.5m					4000	3600	1800-2000	600	750
EC-UD250-45B	20t-28.5m					4500	4100	1800-2000	700	850
EC-UD315-35	32t-16.5m					200*400*10	U315*90	FA87-4KW	FA87-5.5KW	3500
EC-UD315-40	32t-22.5m	4000	3500	1800-2000	700					850

整套端梁包含：车轮、马达、主梁连接板、主梁连接螺栓、封头板、聚氨酯缓冲器等。

The complete set of end beams includes: wheels, motors, main beam connecting plates, main beam connecting bolts, head plates, polyurethane buffers, etc.

开式齿端梁参数表 (单梁)EC-S Open teeth type End beam (Single Girder)



特性简介 (MAIN FEATURES)

采用矩形管模块化制造, 缓冲马达驱动, 配合锻造车轮, 采用数控镗铣一体定制机床, 一次性完成开孔, 镗孔, 铣面, 钻孔。

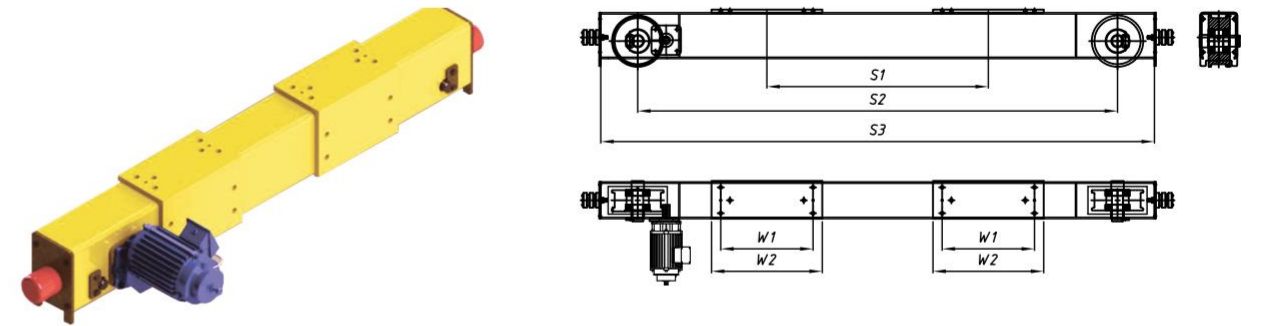
您只需要将起重机主梁与端梁校正焊接即可, 超高的性价比, 让您的起重机制造、安装及维护无比轻松。

End carriage use rectangular tube manufacturing module, buffer motor drive, with forged wheels, using CNC boring and milling of various customized machine, Disposable completes the opening, boring, milling drilling.

技术参数technical date					规格尺寸/size(mm)			
型号 model	适配行车 crane model	矩形管规格 tube Size	车轮规格 wheel Size	电机功率 Motor power (20m/min)	S1 (mm)	S2 (mm)	W1 (mm)	W2 (mm)
EC-S125-15	1t-7.5m	150*150*6	W125*60	0.3KW*2	1500	1300	400	500
EC-S125-20	1t-11.5m				2000	1800	400	500
EC-S125-25	1t-16.5m				2500	2300	400	500
EC-S160-15	2t/3t-7.5m	150*200*8	W160*70	0.4KW*2	1500	1200	400	500
EC-S160-20	2t/3t-11.5m				2000	1700	400	500
EC-S160-25	2t/3t-16.5m				2500	2200	400	500
EC-S160-30	2t/3t-22.5m				3000	2700	500	600
EC-S160-35	2t/3t-28.5m				3500	3200	600	700
EC-S200-20	5t-11.5m	150*250*8	W200*70	0.4KW*2	2000	1700	400	500
EC-S200-25	5t-16.5m				2500	2200	400	500
EC-S200-30	5t-22.5m			0.75KW*2	3000	2700	500	600
EC-S200-35	5t-28.5m				3500	3200	600	700
EC-S250-20	10t-11.5m	200*250*8	W250*80	0.75KW*2	2000	1600	400	500
EC-S250-25A	10t-16.5m				2500	2100	500	600
EC-S250-30A	10t-22.5m			1.1KW*2	3000	2600	500	600
EC-S250-35A	10t-28.5m				3500	3100	700	800
EC-S250-25B	16t-16.5m				2500	2100	600	700
EC-S250-30B	16t-22.5m	200*300*8	W250*80	1.1KW*2	3000	2600	700	800
EC-S250-35B	16t-28.5m				3500	3100	700	800
EC-S315-30	20t-16.5m	200*400*8	W315*90	1.5KW*2	3000	2500	700	800
EC-S315-35	20t-22.5m				3500	3000	700	800

整套端梁包含: 车轮、马达、主梁连接板、主梁连接螺栓、封头板、聚氨酯缓冲器等。
The complete set of end beams includes:
wheels, motors, main beam connecting plates, main beam connecting bolts, head plates, polyurethane buffers, etc.

开式齿端梁参数表 (双梁)EC-D Open teeth type End beam (Double girder)



特性简介 (MAIN FEATURES)

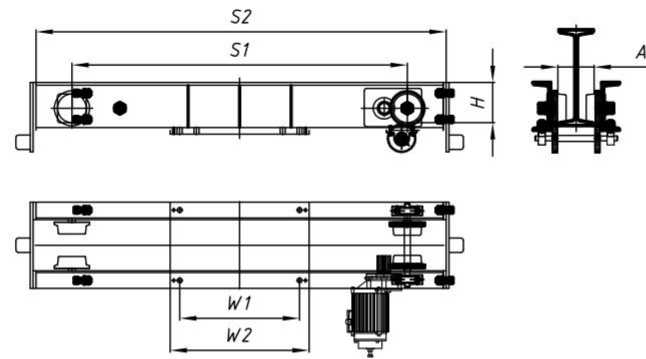
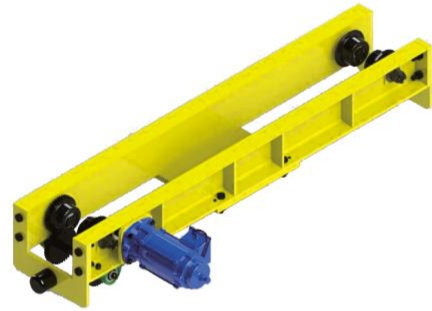
双梁起重机端梁, 采用矩形管模块化制造, 缓冲马达驱动, 配合锻造车轮, 采用数控镗铣一体定制机床, 一次性完成开孔, 镗孔, 铣面, 钻孔。您只需要将起重机主梁与端梁校正焊接即可, 超高的性价比, 让您的起重机制造、安装及维护无比轻松。

Double beam crane end beam, the use of a rectangular tube manufacturing module, buffer motor drive, with forged wheels, using CNC boring and milling of various customized machine, Disposable completes the opening, boring, milling drilling.

技术参数technical date					规格尺寸/size(mm)				
型号 model	适配行车 crane model	矩形管规格 tube Size	车轮规格 wheel Size	电机功率 Motor power (20m/min)	S1 (mm)	S2 (mm)	S3 (mm)	W1 (mm)	W2 (mm)
EC-D160-20	/2t-11.5m	150*200*8	W160*70	0.4KW*2	2000	1700	1000~1200	400	500
EC-D160-25	1t/2t-16.5m				2500	2200	1000~1200	400	500
EC-D200-25	3t/5t-11.5m	150*250*8	W200*70	0.4KW*2	2500	2200	1200~1400	400	500
EC-D200-30	3t/5t-16.5m				3000	2700	1200~1400	400	500
EC-D200-35	3t/5t-22.5m			0.75KW*2	3500	3200	1200~1400	500	600
EC-D200-40	3t/5t-28.5m				4000	3700	1200~1400	600	700
EC-D250-30	10t-11.5m	200*250*8	W250*80	0.75KW*2	3000	2600	1400~1600	500	600
EC-D250-35A	10t-16.5m				3500	3100	1400~1600	500	600
EC-D250-40A	10t-22.5m			1.1KW*2	4000	3600	1400~1600	500	600
EC-D250-45A	10t-28.5m				4500	4100	1400~1600	600	700
EC-D250-35B	16t-16.5m				3500	3100	1600~1800	600	700
EC-D250-40B	16t-22.5m	200*300*8	W250*80	1.5KW*2	4000	3600	1600~1800	600	700
EC-D250-45B	16t-28.5m				4500	4100	1600~1800	600	700
EC-D315-35	20t-16.5m	200*400*8	W315*90	1.5KW*2	3500	3000	1600~1800	700	800
EC-D315-40	20t-22.5m				4000	3500	1600~1800	700	800
EC-D315-45	20t-28.5m				4500	4000	1600~1800	700	800
EC-D250-40T	32t-16.5m	200*400*8	W250*80/2	1.5KW*4	4000	3600	1800~2000	700	800
EC-D250-45T	32t-22.5m				4500	4100	1800~2000	700	800
EC-D250-50T	32t-28.5m				5000	4600	1800~2000	700	800

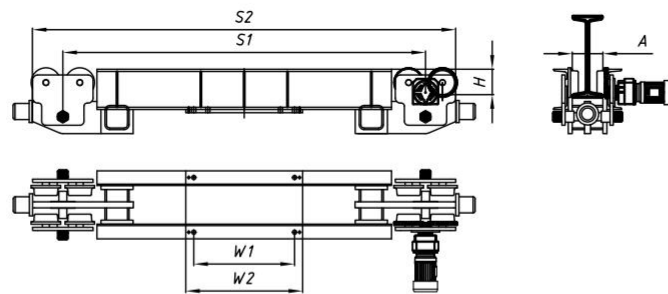
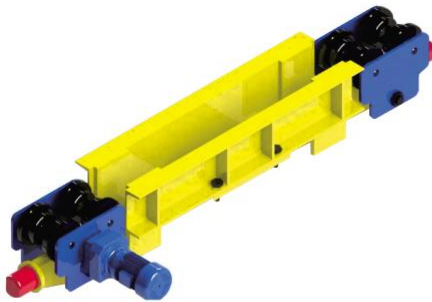
悬挂端梁 Suspension type End beam (1-10t)

台式悬挂端梁 EC-UX
Open teeth type Suspension End Beam



技术参数technical date					规格尺寸/size(mm)					
型号 model	适配行车 crane model	车轮规格 wheel Size	运行电机 Motor power (20m/min)	运行速度 travel speed (m/min)	S1 (mm)	S2 (mm)	W1 (mm)	W2 (mm)	A (mm)	H (mm)
EC-LX2-12	1t/2t-7.5m	90*8	0.37kW*2	0-16	1000	1200	260	340	110-130	105
EC-LX2-15	1t/2t-11.5m	90*8	0.37kW*2	0-16	1300	1500	260	340	110-130	105
EC-LX2-18	1t/2t-16.5m	90*8	0.37kW*2	0-16	1600	1800	260	340	110-130	105
EC-LX5-15	3t/5t-7.5m	120*8	0.4kW*2	0-16	1200	1500	360	580	122-142	168
EC-LX5-18	3t/5t-11.5m	120*8	0.4kW*2	0-16	1500	1800	360	580	122-142	168
EC-LX5-22	3t/5t-16.5m	120*8	0.4kW*2	0-16	1900	2200	360	580	122-142	168
EC-LX10-18	8t/10t-7.5m	160*8	0.75kW*2	0-20	1500	1800	360	580	122-142	230
EC-LX10-22	8t/10t-11.5m	160*8	0.75kW*2	0-20	1900	2200	360	580	122-142	230
EC-LX10-25	8t/10t-16.5m	160*8	0.75kW*2	0-20	2200	2500	360	580	122-142	230

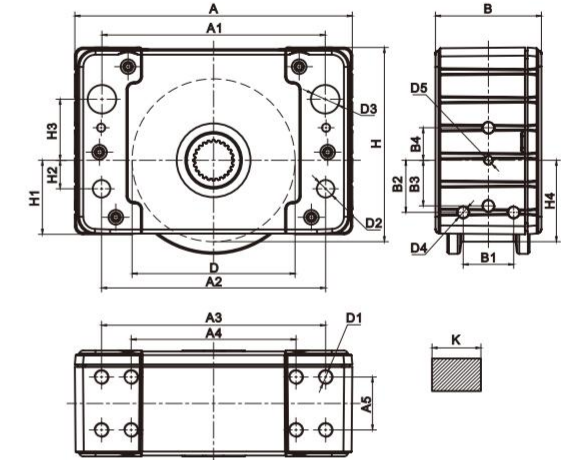
欧式悬挂端梁 EC-UX
Spline shaft type Suspension End Beam



技术参数technical date					规格尺寸/size(mm)					
型号 model	适配行车 crane model	车轮规格 wheel Size	运行电机 Motor power (20m/min)	运行速度 travel speed (m/min)	S1 (mm)	S2 (mm)	W1 (mm)	W2 (mm)	A (mm)	H (mm)
EC-UX2-12	1t/2t-7.5m	90*16	0.37kW*2	20-40	1200	1700	260	340	110-130	116
EC-UX2-15	1t/2t-11.5m	90*16	0.37kW*2	20-40	1500	2000	260	340	110-130	116
EC-UX2-18	1t/2t-16.5m	90*16	0.37kW*2	20-40	1800	2300	260	340	110-130	116
EC-UX5-15	3t/5t-7.5m	120*16	0.55kW*2	20-40	1500	2000	360	580	122-142	126.5
EC-UX5-18	3t/5t-11.5m	120*16	0.55kW*2	20-40	1800	2300	360	580	122-142	126.5
EC-UX5-22	3t/5t-16.5m	120*16	0.55kW*2	20-40	2200	2700	360	580	122-142	126.5
EC-UX10-18	8t/10t-7.5m	160*16	0.75kW*2	20-40	1800	2300	360	580	122-142	190
EC-UX10-22	8t/10t-11.5m	160*16	0.75kW*2	20-40	2200	2700	360	580	122-142	190
EC-UX10-25	8t/10t-16.5m	160*16	0.75kW*2	20-40	2500	3000	360	580	122-142	190

整套端梁包含: 车轮、马达、主梁连接板、主梁连接螺栓、封头板、聚氨酯缓冲器等。
The complete set of end beams includes: wheels, motors, main beam connecting plates, main beam connecting bolts, head plates, polyurethane buffers, etc.

欧式轮箱组 DRS Wheel Block



尺寸参数/Technical Parameters

Type D	A mm	B mm	H mm	K mm	H1 mm	H2 mm	H3 mm	H4 mm	B1 mm	B2 mm	B3 mm	B4 mm
DRS112	190	96	131	55	47	30	40	80	40	30	-	24
DRS125	220	98	147.5	55	53.5	20	40	100	50	37	-	37.5
DRS160	275	110	187	60	70	25	55	100	54	47.5	-	20
DRS200	340	130	238	60	90	35	75	100	62	64	56	40
DRS250	385	150	281	75	89	50	80	100	-	-	-	-
DRS315	470	180	349.5	90	114	70	80	100	-	-	-	30
DRS400	580	210	440	-	144	95	130	100	-	-	-	30
DRS500	700	240	566	-	183	110	160	100	-	-	-	30

Type D	A1 mm	A2 mm	A3 mm	A4 mm	A5 mm	D1	D2 mm	D3 mm	D4	D5	Weight (kg)	Max.Load kN
DRS112	145	145	145	-	45	4xM12	10.5	18.5	4xM12	2xM12	10	27.5
DRS125	175	175	170	-	55	4xM12	13	21	4xM12	2xM12	15	50
DRS160	220	220	220	-	55	4xM16	17	30	4xM16	2xM12	26	70
DRS200	275	275	275	-	65	4xM16	20	35	8xM16	2xM12	41	100
DRS250	310	310	290	140	80	8xM16	34F8	40	2xM12	-	70	160
DRS315	370	370	360	180	100	8xM16	40F8	50	2xM12	2xM20	130	220
DRS400	450	450	440	210	120	8xM20	31H13	65	2xM12	2xM20	220	300
DRS500	580	580	620	480	125	8xM20	31H13	70	2xM12	2xM20	380	400

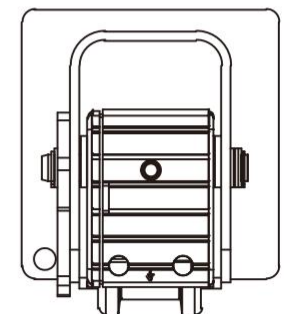
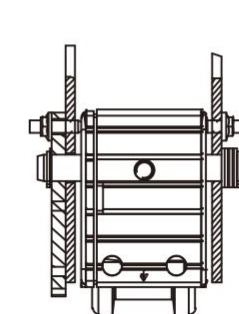
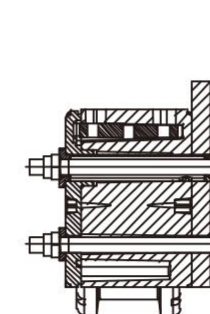
安装方式/Installation type

顶部安装/top connection

侧面安装/side connection

轴销安装/pin connection

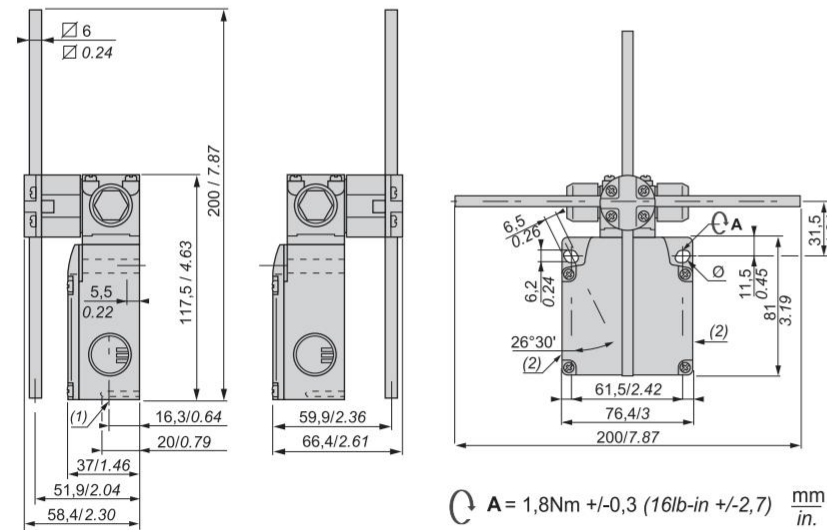
端面安装/end connection



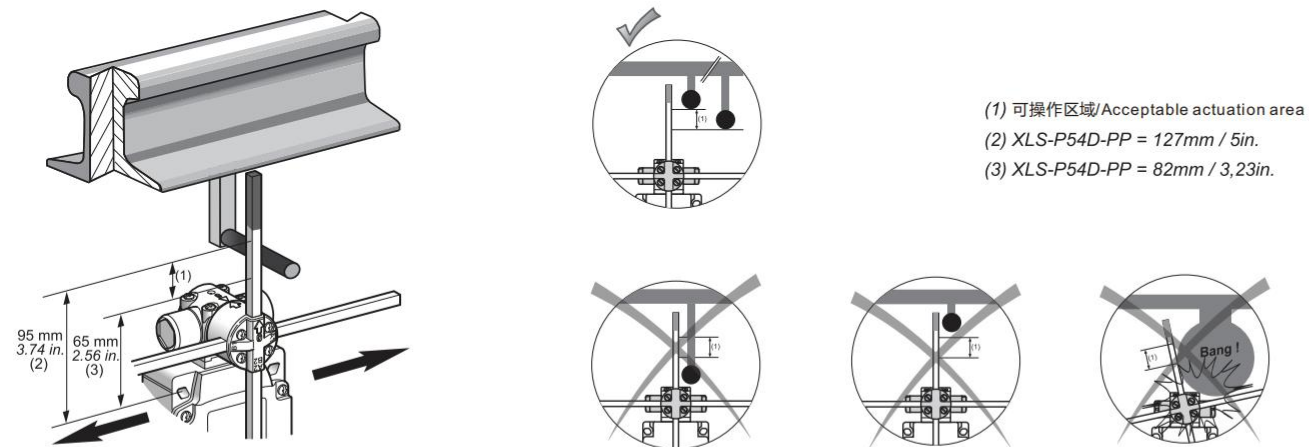
十字限位行程开关 Limit Switch with Rotating Head and Cross Lever

此产品的设计符合目前的有效标准:

These devices have been designed to be in compliance with the standards currently in effect:
EN/IEC 60947-5-1; EN/IEC60947-1



机械定位/Mechanical Positioning

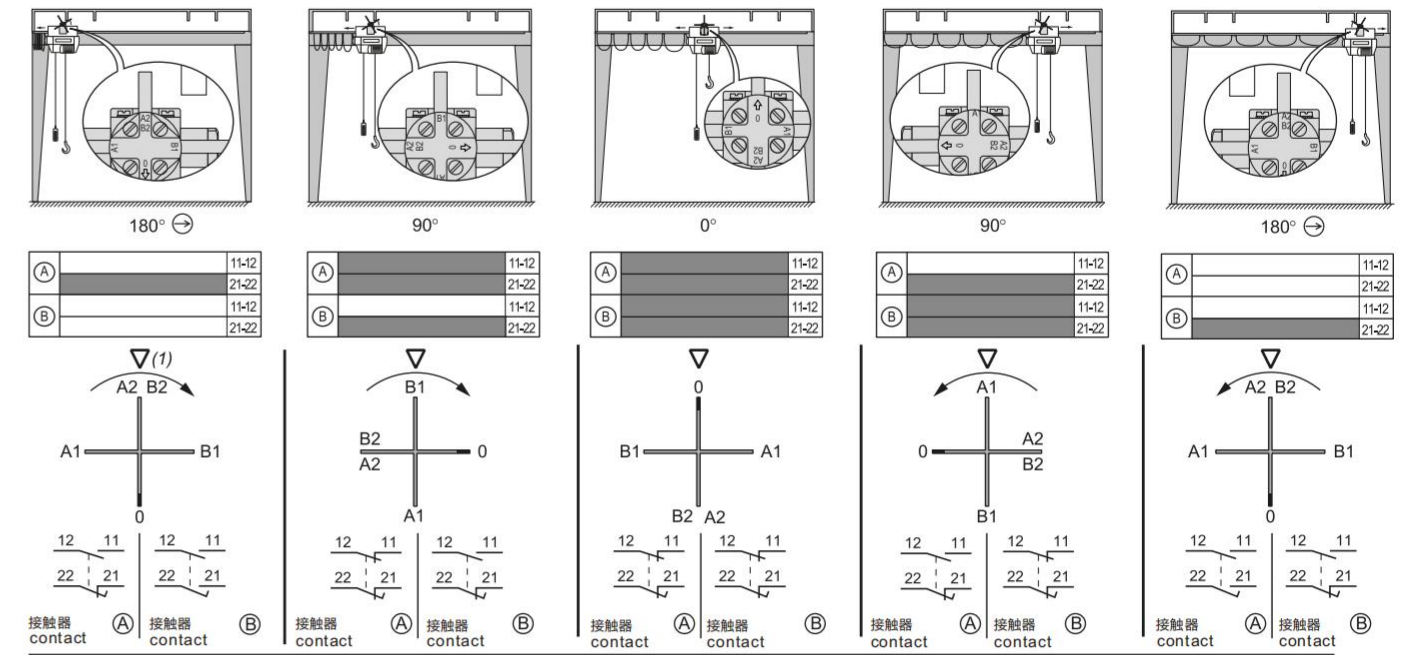


- (1) 可操作区域/Acceptable actuation area
- (2) XLS-P54D-PP = 127mm / 5in.
- (3) XLS-P54D-PP = 82mm / 3.23in.



XLS-P54D-PP

双速, 不间断/Double speed, without stop.



(1) 三角形符号标注位置在顶部/Triangle symbol marked on top of the head.

: 旋转方向/Direction of rotation.

XLS-P54D-PP / XLS-P54D- NP

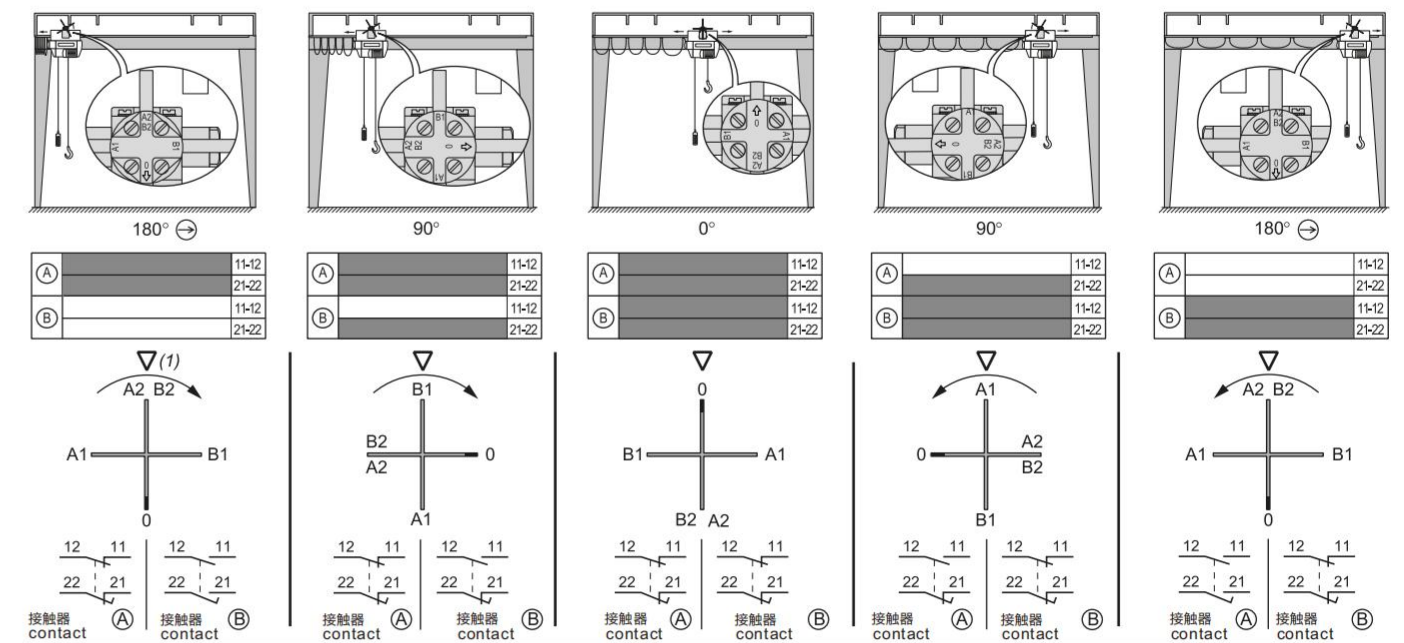
双速, 不间断/Double speed, without stop.

注意事项/NOTE

设备不可操作事项/INOPERABLE EQUIP

请勿将旋转头向任何方向旋转超过180度。/Do not turn the head more than 180° in either direction.

不按照此指南操作会导致设备损坏。/Failure to follow these instructions can result in equipment damage.



(1) 三角形符号标注位置在顶部/Triangle symbol marked on top of the head.

: 旋转方向/Direction of rotation.

HT-CU 系列无线遥控器 HT-CU series Remote control

 100 x 100 米区域 多达50个系统可同时运行
100 x 100m Up to 50 systems can run simultaneously

HT-CU 按键式发射器 Handheld Transmitter



HT-CU MATE 按键式发射器 Handheld Transmitter



适配接收器

高防护等级，直面雨水、油污。
发射器与接收器万能配对，无需重新编程。

RECEIVER

High protection level, facing rainwater and oil pollution directly.
The transmitter and receiver are compatible and do not require reprogramming.

好的适用于HT-CU系列8键及以上的所有双速按键和HT-NI\HBT全系列机型
Suitable for all dual speed buttons of the HT-CU series with 8 keys and above, as well as all models of the HT-NI and HBT series.



M22-C SERIES

应用领域/APPLICATION SCOPE

该系列产品专为起重机械、工程机械、农林机械、筛分设备、切设备、输送设备等设计配套。

This series of products is designed specifically for lifting machinery, engineering machinery, agricultural and forestry machinery, screening equipment, cutting equipment, conveying equipment, etc.



系统启动方式
同时按下F1和F2键，并保持3秒以上再松开，直到状态指示灯或屏幕显示启动状态，接收器的安全继电器闭合。

System startup method:
Press F1 and F2 keys simultaneously and hold for more than 3 seconds before releasing them until the indicator light or screen shows the startup status and the safety relay of the receiver is closed.

技术参数/TECHNICAL CHARACTERISTICS

MODEL NO.	HT-CU-8S	HT-CU-8D	HT-CU-10S	HT-CU-10D	HT-CU-12S	HT-CU-12D
外壳材料/Material	High strength engineering plastics					
通讯方式/Communication	Real time communication(RF-M4386-SI44/RF-EM4386-SI44)					
发射频率/frequency/Interval	430~432MHz、433.05~434.79MHz/25k					
发射功率/Transmit power	≤10mW					
操作形式/Push button	Single Speed	Double Speed	Single Speed	Double Speed	Single Speed	Double Speed
按键数量/No. of pushbuttons	8	8	10	10	12	12
工作电压/Work power supply	4.5V~6VDC(4 pcs of AA alkaline batteries)					
工作电流/work currenecy	≤30mA					
待机电流/Stay currenecy	≤100uA					
状态显示/Status display	LED*3					
紧急停止装置/EMS	Pull and Push button EMS					
防护等级/Protection Grade	Ip65					
外形尺寸/Size	192mm x 64mm x 46mm		214mm x 64mm x 46mm		236mm x 64mm x 46mm	



HT-CU



HT-CU MATE



HT-CU PRO

HT-NI PRO 系列无线遥控器 HT-NI PRO series Remote control

 100 x 100 米区域 多达50个系统可同时运行
100 x 100m Up to 50 systems can run simultaneously

HT-NI PRO

按键式发射器
Handheld Transmitter



HT-NI MATE PRO

按键式发射器
Handheld Transmitter



适配接收器

高防护等级，直面雨水、油污。
发射器与接收器万能配对，无需重新编程。

RECEIVER

High protection level, facing rainwater and oil pollution directly.
The transmitter and receiver are compatible and do not require reprogramming.

好的适用于HT-CU系列8键及以上的所有双速按键和HT-NI\HBT全系列机型
Suitable for all dual speed buttons of the HT-CU series with 8 keys and above, as well as all models of the HT-NI and HBT series.



M22-C SERIES

应用领域/APPLICATION SCOPE

该系列产品专为起重机械、工程机械、农林机械、筛分设备、切设备、输送设备等设计配套。

This series of products is designed specifically for lifting machinery, engineering machinery, agricultural and forestry machinery, screening equipment, cutting equipment, conveying equipment, etc.



技术参数/TECHNICAL CHARACTERISTICS

MODEL NO.	HT-NI-8DPRO	HT-NI-10DPRO	HT-NI-8DMATEPRO	HT-NI-10DMATEPRO
外壳材料/Material	高强度工程塑料/High strength engineering plastics			
通讯方式/Communication	即使通信Real time communication(RF-M4386-SI44/RF-EM4386-SI44)			
发射频率/frequency/Interval	430~432MHz、433.05~434.79MHz/25k			
发射功率/Transmit power	≤10mW			
操作形式/Operation	按键式双速/Double speed pushbutton			
按键数量/No. of pushbuttons	8	10	8	10
选择开关/Switch selection	3档90°定位带手感反馈3rd mode 90 Positioning with tactile feedback			
工作电压/Work voltage	4.5V~6VDC(4节5号碱性电池/4 pcs of AA alkaline batteries)			
工作电流/Work currenecy	≤30mA			
待机电流/Stay on currenecy	≤100uA			
状态显示/Status display	LED*5		LED+LED*5	
紧急停止装置/EMS	推拉式急停按钮/Pull and Push button EMS			
防护等级/Protection grade	IP65			
外形尺寸/Size	208mm x 62mm x 39.8mm			



